

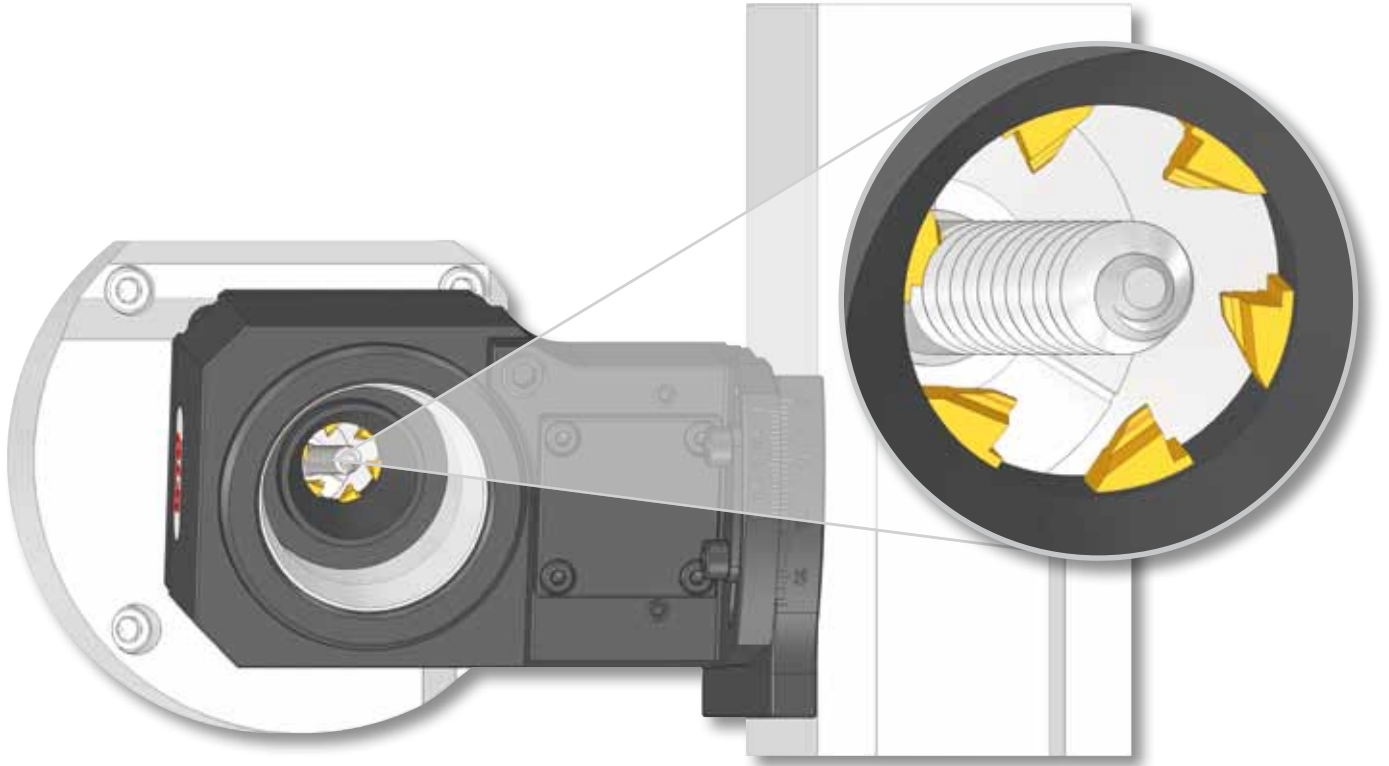
Thread Whirling Unit

High Productive Thread Whirling with patented quick change system for significant reduction of tool set-up time.

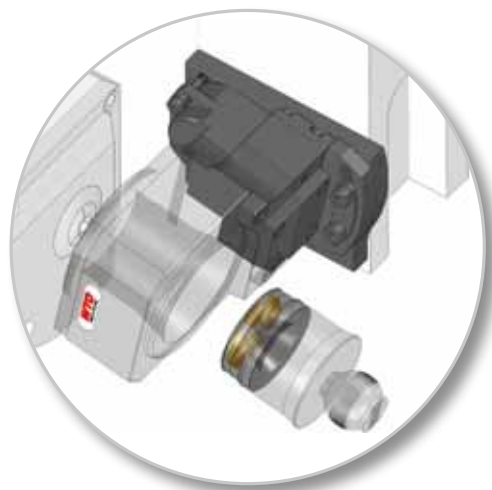
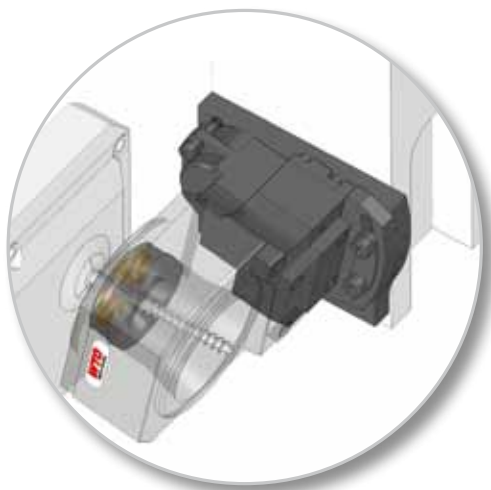
Suitable insert holders available from leading cutting tool manufacturers.



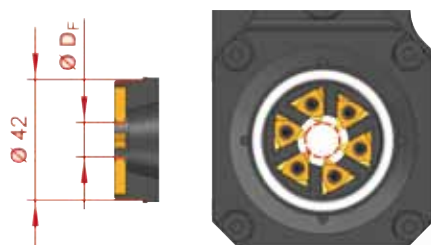
High Productive Thread Whirling



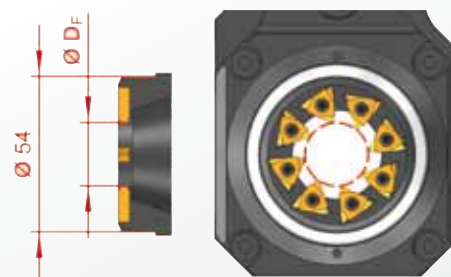
- | Patented quick change system for significant reduction of tool change time
- | The insert holder can quickly be changed from the backside
- | The thread whirling unit can remain installed and aligned in the machine tool
- | Low runout tolerance and high repeatability of the cutting inserts (± 0.005 mm)



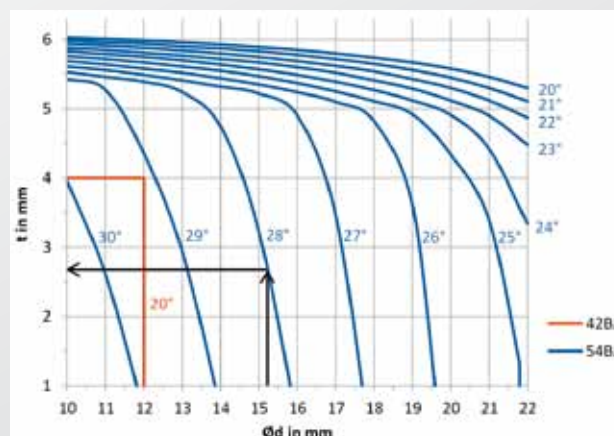
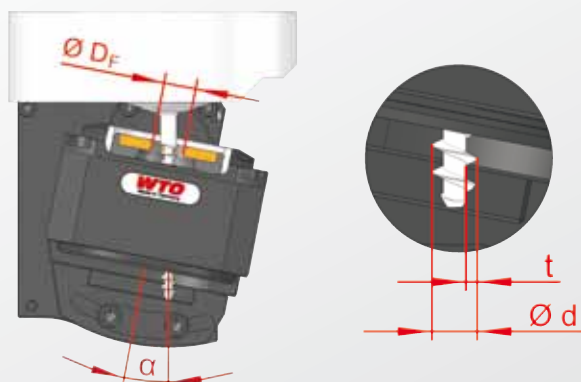
Thread whirling unit type 42BJ



Thread whirling unit type 54BJ



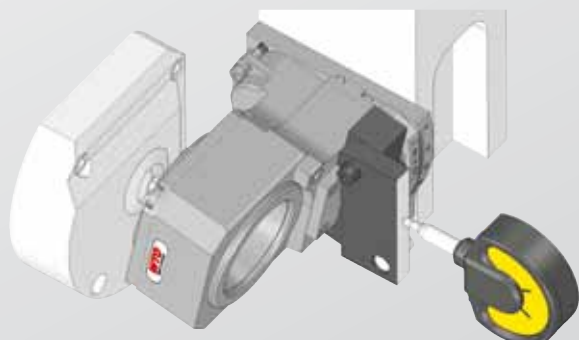
| Type 42BJ | | Type 54BJ |
|-------------|-----------------------------|-------------|
| 12 mm | Max. working diameter D_F | 22 mm |
| 0 – 20° | Adjustable range α | 0 – 30° |
| 4 mm | Max. profile depth t | 6 mm |
| 1 : 1 | Ratio i ($n_1:n_2$) | 1.36 : 1 |
| 8,000 1/min | Max. RPM (n_2) | 6,000 1/min |



Example type 54BJ: $\varnothing d = 15.2$ mm; $\alpha = 28^\circ \rightarrow t \leq 2.7$ mm

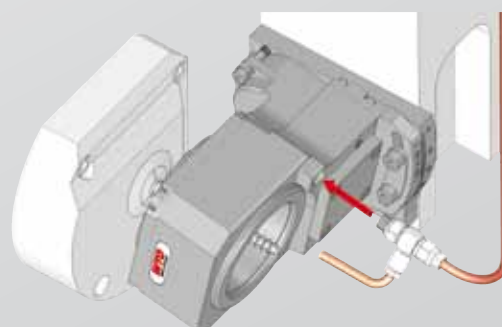
Optional accessories

Sine bar for high accurate angular adjustment



Item No. 96394

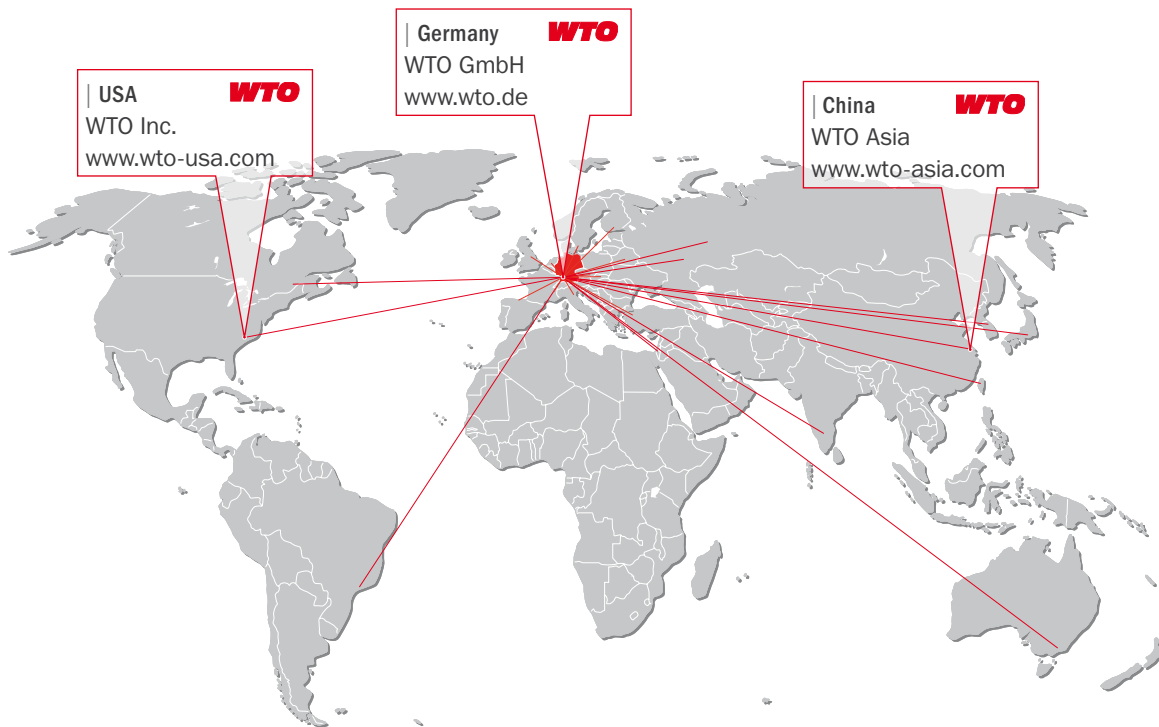
External coolant supply



Item No. 91749

WTO worldwide

WTO
Higher Productivity



WTO GmbH
Auf der oberen Au 45
77797 Ohlsbach
Germany

WTO USA
13900 S Lakes Dr Ste F
Charlotte NC 28273-7119
USA

WTO Asia
Unit 756A, Tower 3
German Center
No. 88 Keyuan Road
Pudong
201203 Shanghai
China

Our distribution partners. Competence right there.

| Australia
Dimac Tooling Ltd.
sales@dimac.com.au

| Finland
Suomen Terätuonti Oy
myynti@stt.as

| Japan
NK Works Co. Ltd.
k_samba@nk-works.co.jp

| Spain
ITALMATIC, S.A.
italmatic@italmatic.es

| Belarus
JSC "PMI GROUP"
tool@pmi.by

| France
Société Jung
info@r-jung.com

| Korea
WTO Korea Office
is.chon@wto-korea.com

| Sweden
Komet Scandinavia AB
scandinavia@kometgroup.com

| Brazil
TF2
tfdois@tfdois.com.br

| France
Utilis France Sàrl
contact@utilis.com

| Netherlands
Klein Tooling B.V.
mail@kleintooling.nl

| Switzerland
Utilis AG
info@utilis.com

| Canada
Mittmann Industrial Inc.
info@mittmann.com

| Great Britain
Cutwel Ltd.
sales@cutwel.net

| Norway
Helge Karlsen Verktøy og Maskin AS
hkvm@hkvm.no

| Taiwan
KAIKO Enterprise Co. Ltd.
info@kaiko.com.tw

| China
Shanghai Gangde
m.wang@wto-asia.com

| India
A.H. Rao
ahr.rao@gmail.com

| Russia
Haltec Ltd.
info@haltec.ru

| Turkey
MYK CNC MAKINA SAN. VE
mehmet.karaman@mykcnc.com.tr

| Czech Republic
ALBA precision, spol. s.r.o.
info@albaprecision.cz

| Israel
E.Y.A.R. Ltd.
yehoshua@eyar.co.il

| Russia
OTS-Technology Ltd.
sales@otst.ru

| Ukraine
„LLC“ SPA Stankopromimport
info@phoenix-ua.com

| Denmark
Tool-part
cj@tool-part.dk

| Italy
Prymark srl
commerciale@prymark.it

| Slovakia
ALBA precision s.r.o.
albaprecision@albaprecision.sk