

NC ROTARY TABLE

High Clamping Torque NC Rotary Table

GT series

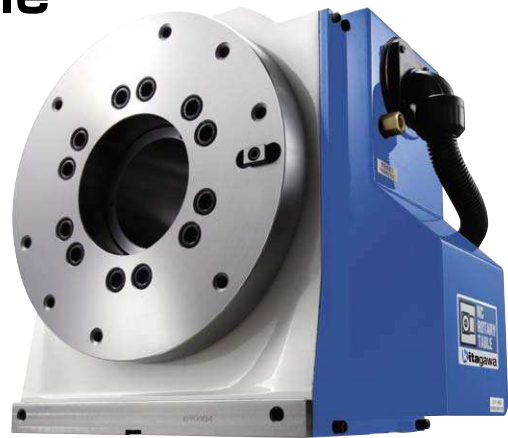
GT200·GT250·GT320

NC Rotary Table suitable for heavy machining

*CE correspondence



GT200



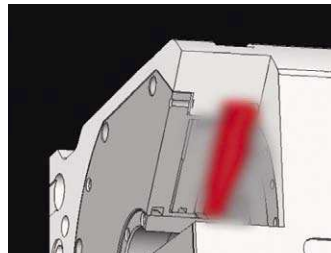
GT320

Sample Application

High Clamping Torque



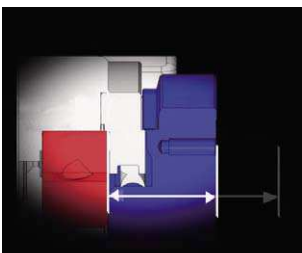
Piston designed at a maximum



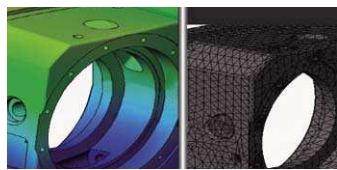
New Clamping Mechanism (Patent pending)

Increased clamping torque is achieved by increased piston area and new clamping mechanism.

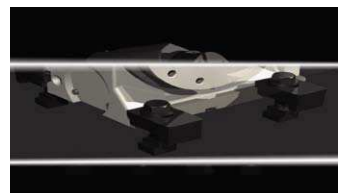
High rigidity



Moment loading reduced



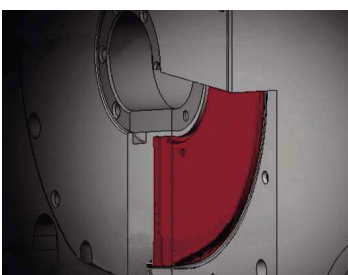
Perfect design



Best Clamping

Rigid Body Design allows heavy machining. Improved Brake Piston design reduces distortion.

High speed



Air circuit improved

High clamping Torque allows increased machining speed. Improved clamping speed reduces takt time.

4th axis specifications				M signal specification			
GT 200	L	A	***	GT 200	L	A	V**
Type	Table Size 200·250·320	Right/Left hand R: Right hand L: Left hand	Design No. Motor type Clamping method Pneumatic	Type	Table Size 200·250·320	R : Right hand L : Left hand	Design No. Quinte specification Clamping method Pneumatic

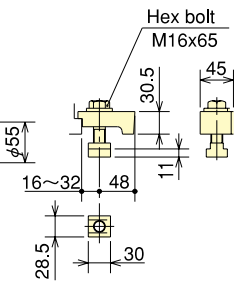
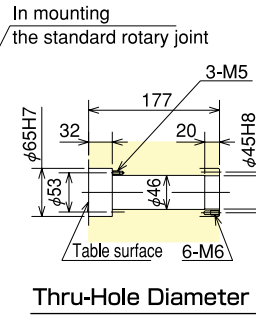
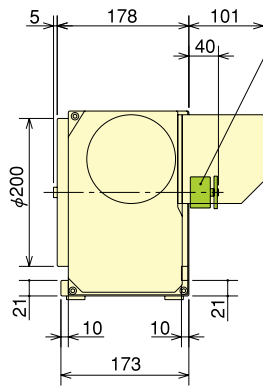
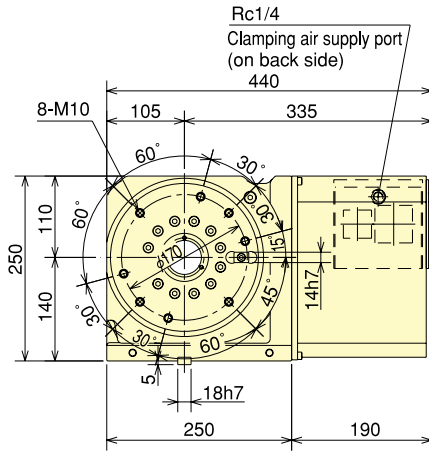
Specifications

Model		GT200	GT250	GT320
Right hand		○	○	○
Left hand		○	○	○
Table dia (mm)		φ 200	φ 250	φ 320
Register diameter on Face Plate (mm)		φ 65 H 7	φ 100 H 7	φ 130 H 7
Spindle through hole diameter (mm)		φ 45	φ 70	φ 105
Centre Height (mm)		140	180	225
Clamping method		Pneumatic	Pneumatic	Pneumatic
Clamping torque (N·m) (In pneumatic 0.5MPa)		820	1600	2800
Motor axis reduced inertia (kg·m ²)		0.00023	0.00036	0.00039
Servomotor		α iF 4/5000	α iF 4/5000	α iF 8/3000
Gear ratio		1/72	1/90	1/120
Max. spindle speed	FANUC specification (for min ⁻¹ /motor3000min ⁻¹)	41.6	33.3	25
	M signal specification (for min ⁻¹)	41.6 (3000min ⁻¹)	33.3 (3000min ⁻¹)	16.6 (2000min ⁻¹)
Allowable work inertia (kg·m ²)		1.00	1.95	4.49
Indexing accuracy (sec)		20	20	20
Repeatability (sec)		4	4	4
Mass of product (kg)		64	87	145
Manual Tailstock (as an option · P89 reference)		MR200RN	MR250RN	MR320RN
Tail Spindle (as an option · P93 reference)		MSR142A	TSR181A	TSR181A-45
Rotary Joint (as an option · P97 reference)		RJ40H20J01 Hydraulic/Pneumatic4-port	RJ70H25J01 Hydraulic/Pneumatic6-port	RJ70H32J01 Hydraulic/Pneumatic6-port
Allowable Load	Horizontal (kg)	200	250	350
	Vertical (kg)	100	125	180
Allowable load (When clamped to table)	F (kN)	17	21	26
	F _{XL} (N·m)	1100	1600	2500
	F _{XL} (N·m)	820	1600	2800
Allowable cutting torque	T (N·m)	310	480	800

Note) 1. The switch for pressure checking is incorporated to all series except TC/DM of NC tables. 2. The solenoid valve for the table clamp is incorporated. 3. Neither cable nor hose is fitted between NC rotary table and machine tool... 4. In the port part on the table surface jig side of a rotary joint is fixed to the rotary table side. 5. Because a mounting pitch varies with the machines, refer to the pitch of the table spindle size drawing on P93. 6. Each product mass is determined by a Kitagawa M signal spec.

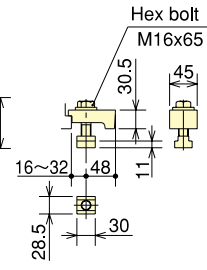
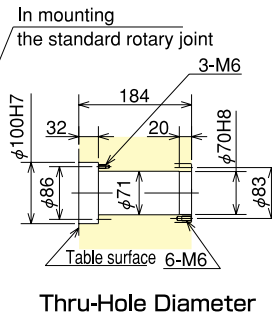
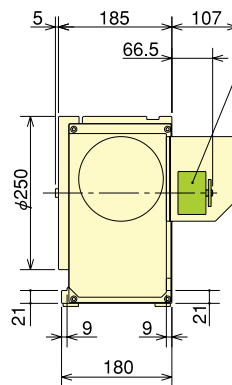
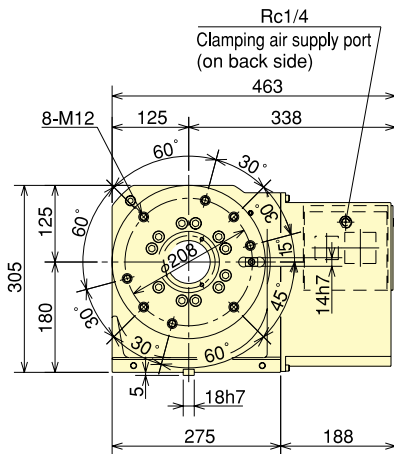
■Dimensions [4th axis specifications]

GT200R (L)



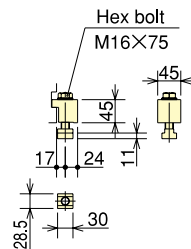
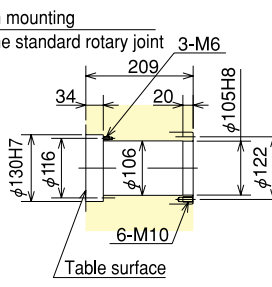
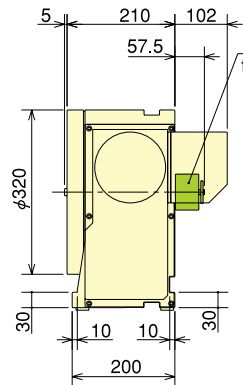
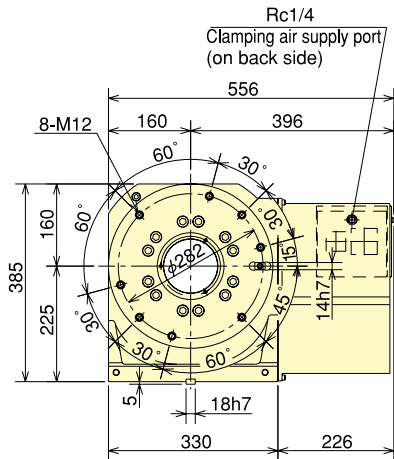
Clamping Device

GT250R (L)



Clamping Device

GT320R (L)



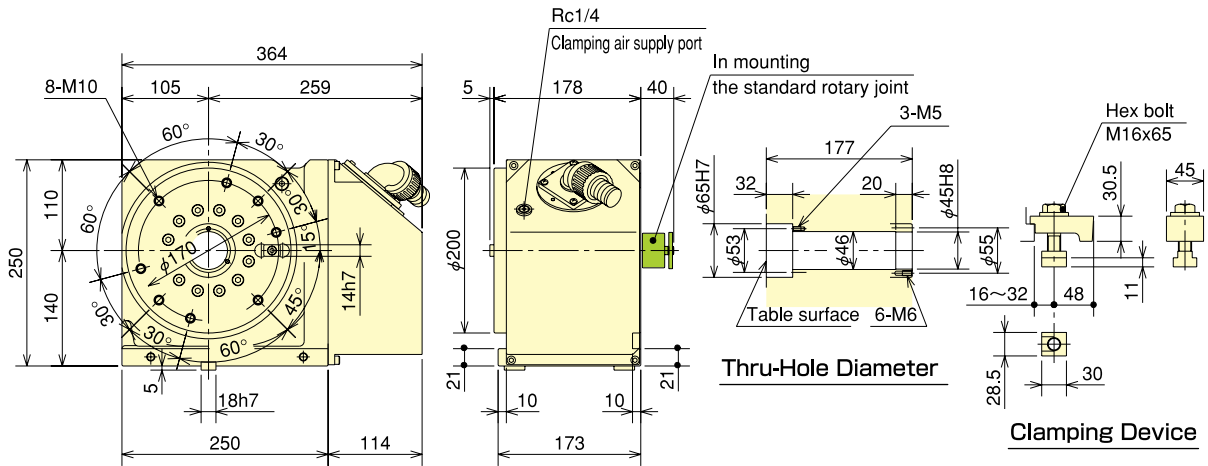
Clamping Device

※The above outline dimensions are shown with FANUC motor specifications. Those dimensions may vary from motor to motor that is mounted. R is a right hand spec, and L is a left hand spec.

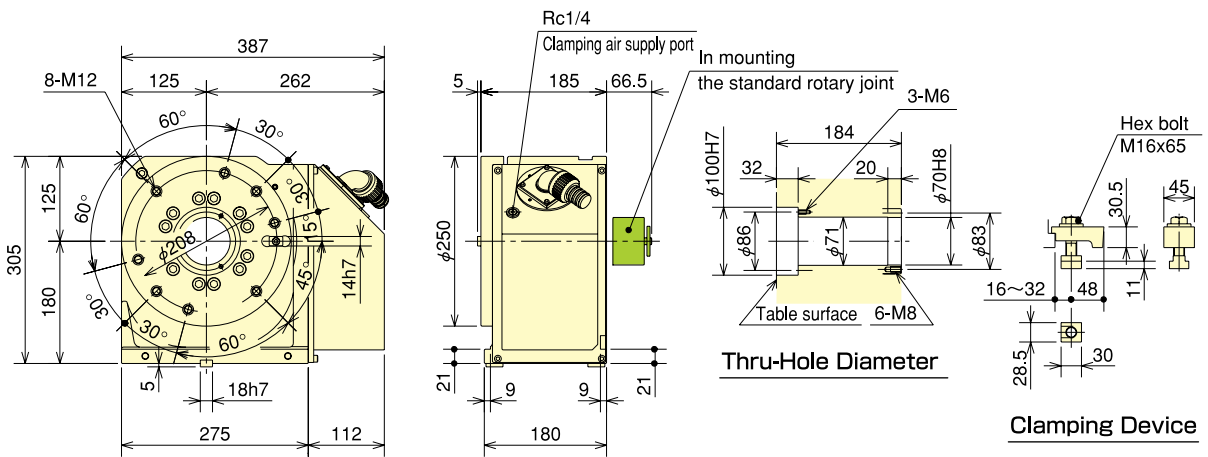
■Dimensions [Kitagawa own controller]

*The dimensions may vary from motor to motor that is mounted.

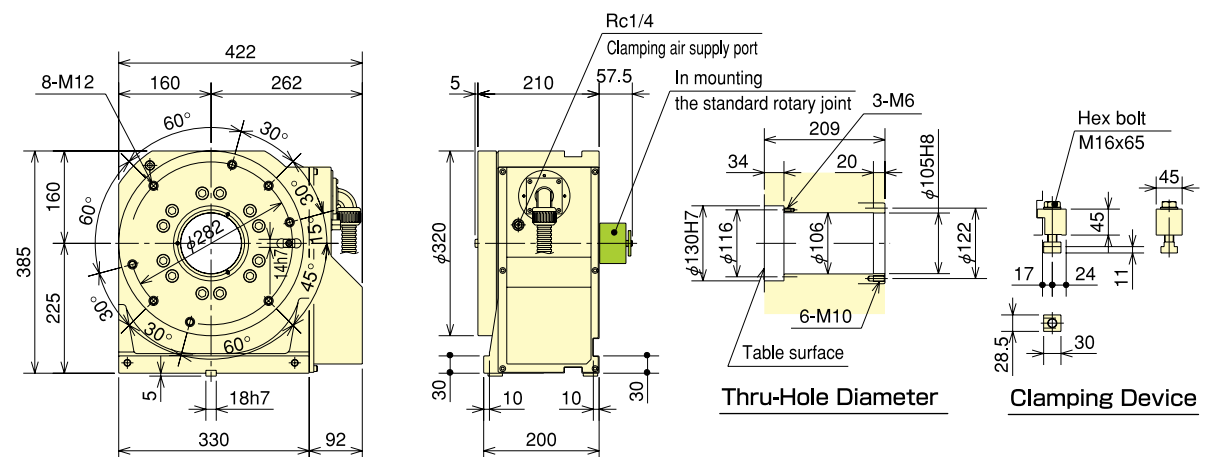
GT200R(L)



GT250R(L)



GT320R(L)



*R is a right hand spec, and L is a left hand spec.