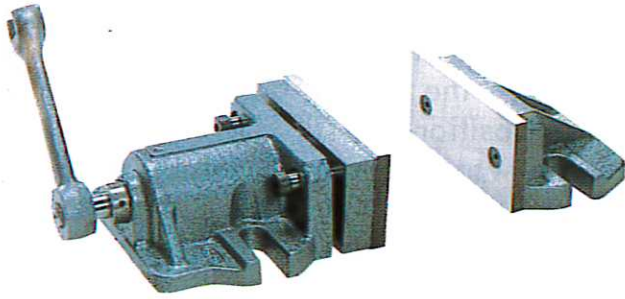


ERON TWO-PIECE VISES — NO. E-261

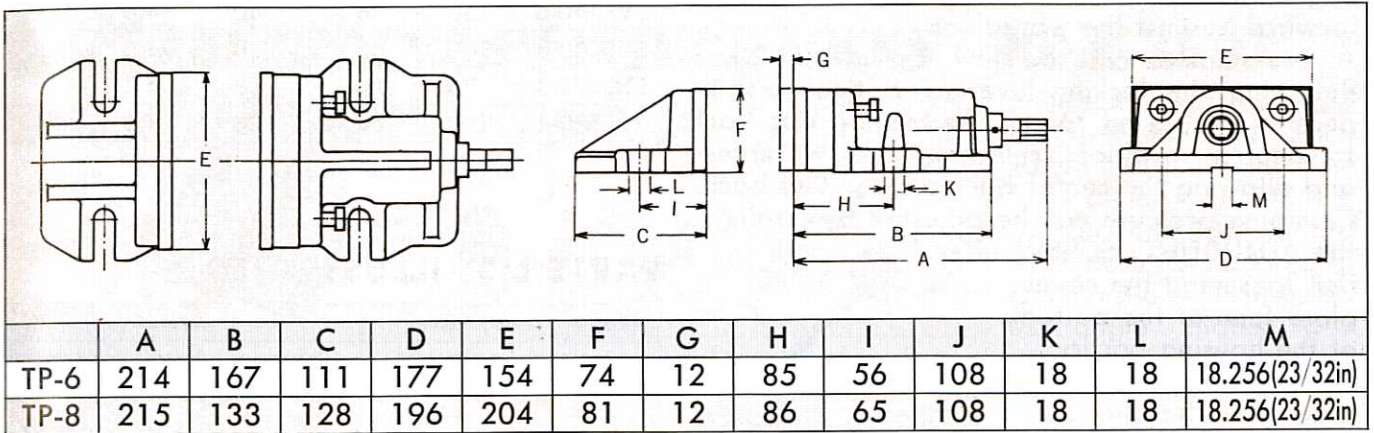


A machine vise of the highest flexibility in clamping extra long work, of two pieces construction, one fixed jaw angle block and one adjustable jaw block, both to be bolted to machine table at any distance to suit work. It forms a valuable addition to the proven machine vises, lighter to handle being devoid of vise bed. Work is located directly on machine table for rigidity, and both jaw blocks against work on machine table. Four guide blocks, two each for both jaw blocks screwed on to the key slots on the bottom surface, set up the two jaw blocks in perfect alignment along the slot on machine table. Just a quarter turn of detachable combination spanner handle clamps work firmly enough for heaviest cuts.

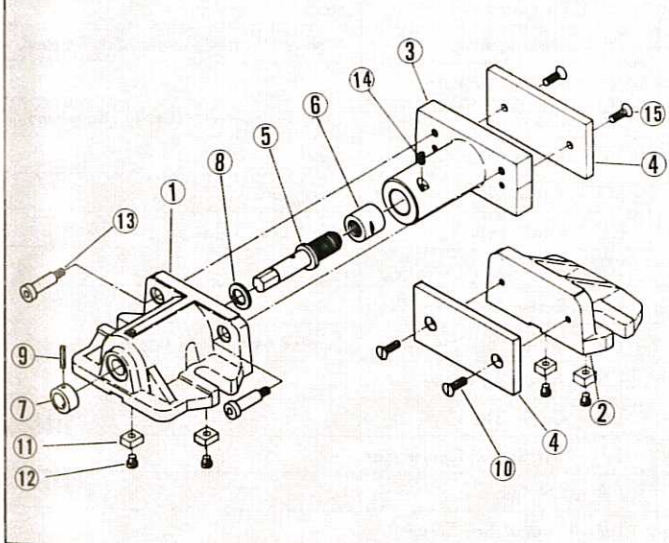
FINISH Painted hammertone blue.
ACCESSORY One 6 mm hex wrench
 One 4 mm hex wrench

No.	Width of Jaws		Depth of Jaws		Key Slot width	T-slot Center Distance		Clamp Travel		Weight	Ship Carton Lot Pack
	mm	in	mm	in		mm	in	mm	in		
TP-6	154	6	74	3	16	54-70	2 1/8 - 2 3/4	12	15/32	13.3	2
TP-8	204	8	81	3 1/4	20	54-80	2 1/8 - 3 1/8	12	15/32	18.6	2

DIMENSIONS (mm)



PARTS LIST ILLUSTRATED



No.	Part Name	Material
1	Body	Cast iron of selected quality
2	Fixed Jaw Angle	Cast iron of selected quality
3	Slide	Cast iron of selected quality
4	Jaw Plates	Carbon steel, hardened and ground
5	Main Screw	Carbon steel
6	Vise Nut	Bronze
7	Collar	High quality steel
8	Thrust Washer	High quality steel
9	Roll Pin	Tool steel
10	Jaw Plate Screws	
11	Guide Blocks	Carbon steel
12	Set Screw	Chrome molybdenum steel
13	Hex Socket Shoulder Screw	Chrome molybdenum steel
14	Vise Nut Set Screw	Chrome molybdenum steel
15	Combination Spanner	Ductile iron casting