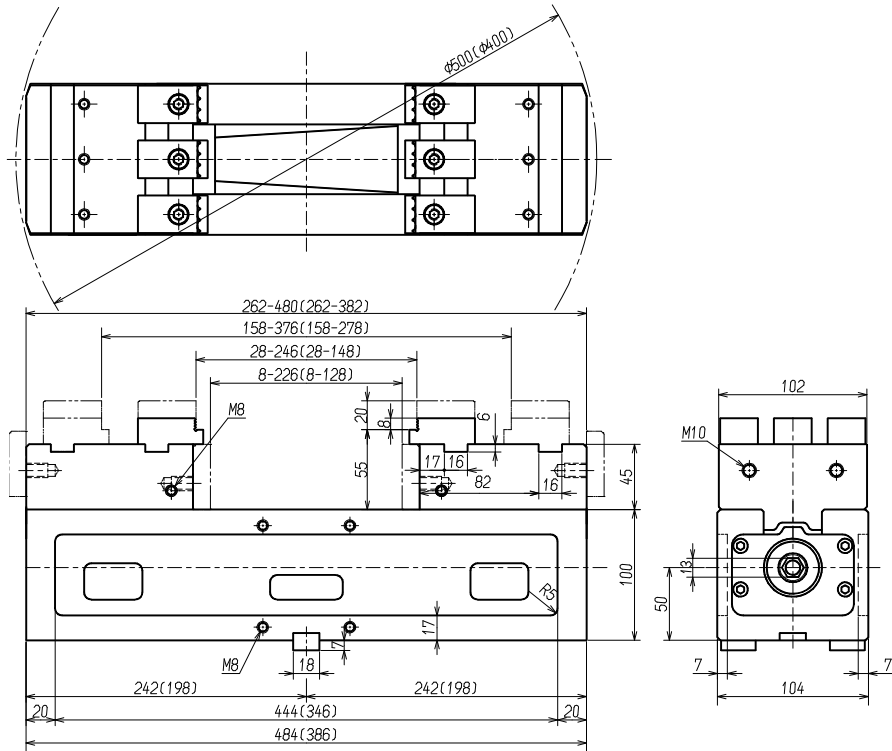


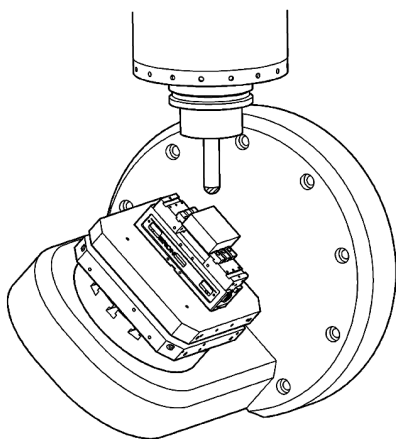
COMPACT MACHINE VISES FOR 5 AXIS MACHINES



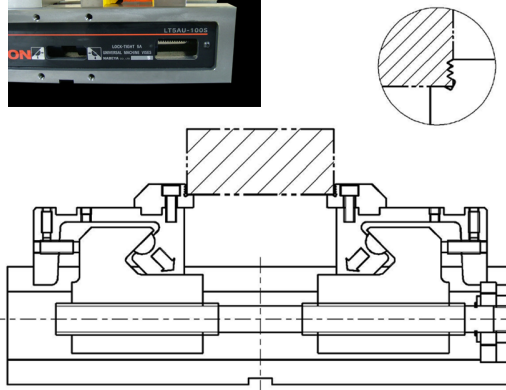
Main Advantages of the Eron 5 Axis Vise

- ☑ Anti-Floating Device – Minimized Jaw Lift
- ☑ Self Centring – Ease of Programming
- ☑ High Clamp Position – Ease of Machining
- ☑ Compact Design – Fits on 400 or 500 Table
- ☑ Rigid Cast Construction
- ☑ High Accuracy
- ☑ Complete with 3 sets of interchangeable jaws.
- ☑ Able to Clamp full length of Vise Body

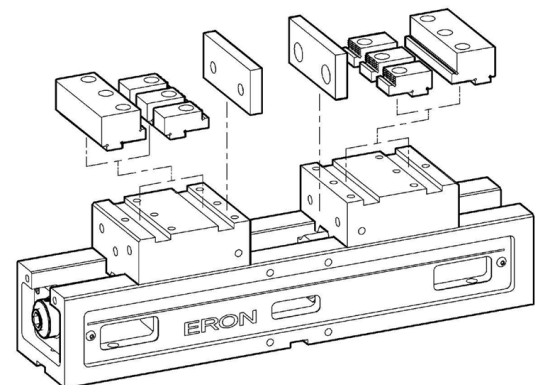
| MODEL NO. | TOTAL LENGTH | JAW WIDTH | JAW OPENING | TOTAL HEIGHT | WEIGHT | CLAMPING FORCE |
|-------------|--------------|-----------|-------------|--------------|--------|----------------|
| LT5AU-100MF | 386 | 102 | 148 | 153 | 24kg | 20kN |
| LT5AU-100F | 484 | 102 | 246 | 153 | 26kg | 20kN |



Less Interference with Machine



Semi-Sphere Segment System



Exchangeable Jaw

Dimac Tooling Pty Ltd
61-65 Geddes Street
MULGRAVE, VIC 3170
AUSTRALIA

Phone: 03 9561 6155
Fax: 03 9561 6705
Email: sales@dimac.com.au
Web: www.dimac.com.au