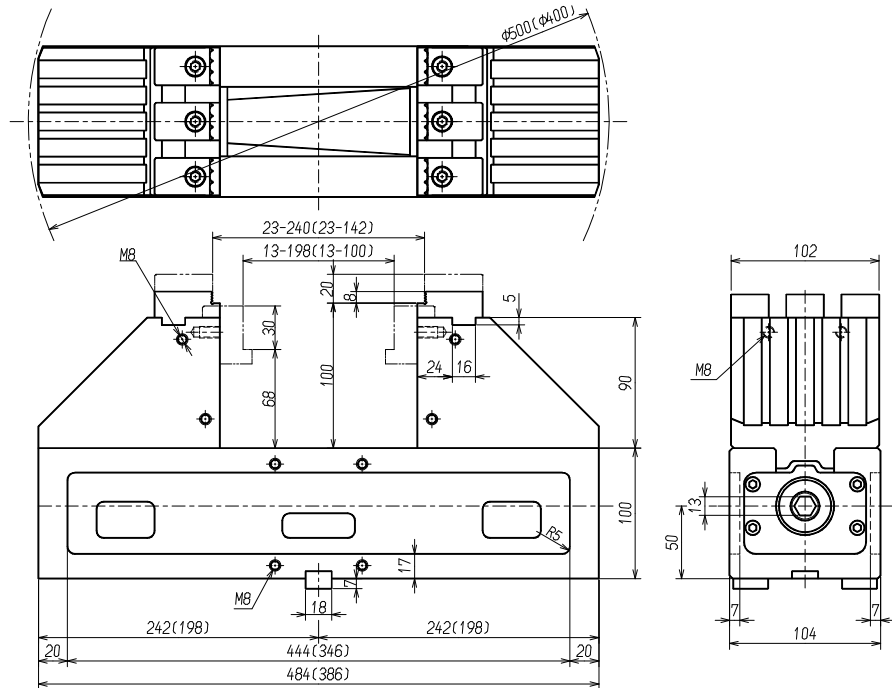


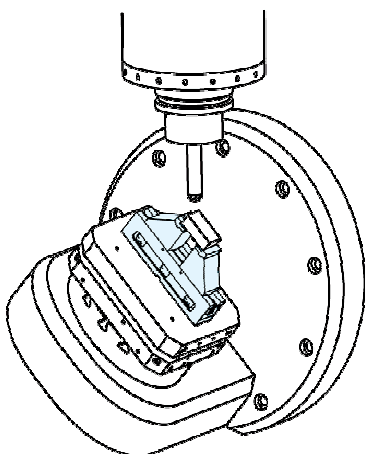
# COMPACT MACHINE VISES FOR 5 AXIS MACHINES



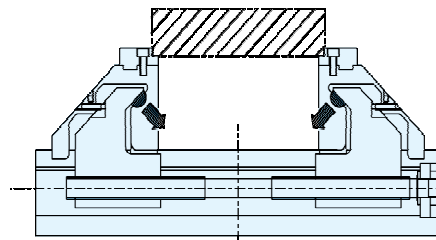
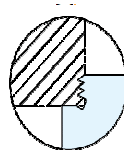
### Main Advantages of the Eron 5 Axis Vise

- ☑ Anti-Floating Device – Minimized Jaw Lift
- ☑ Self Centreing – Ease of Programming
- ☑ High Clamp Position – Ease of Machining
- ☑ Compact Design – Fits on 400 or 500 Table
- ☑ Rigid Cast Construction
- ☑ High Accuracy
- ☑ Complete with 3 sets of interchangeable jaws.

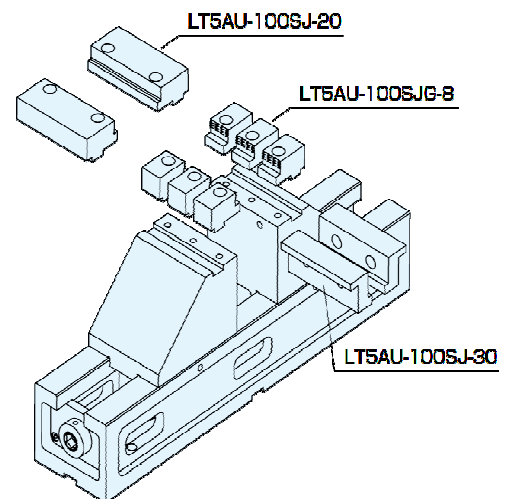
MODEL NO.	TOTAL LENGTH	JAW WIDTH	JAW OPENING	TOTAL HEIGHT	WEIGHT	CLAMPING FORCE
LT5AU-100M	386	102	142	198	30kg	20kN
LT5AU-100	484	102	240	198	32kg	20kN



Less Interference with Machine



Semi-Sphere Segment System



Exchangeable Jaw

### Dimac Tooling Pty Ltd

61-65 Geddes Street  
MULGRAVE, VIC 3170  
AUSTRALIA

Phone: 03 9561 6155  
Fax: 03 9561 6705  
Email: sales@dimac.com.au  
Web: www.dimac.com.au



CNC MACHINE TOOL ACCESSORIES