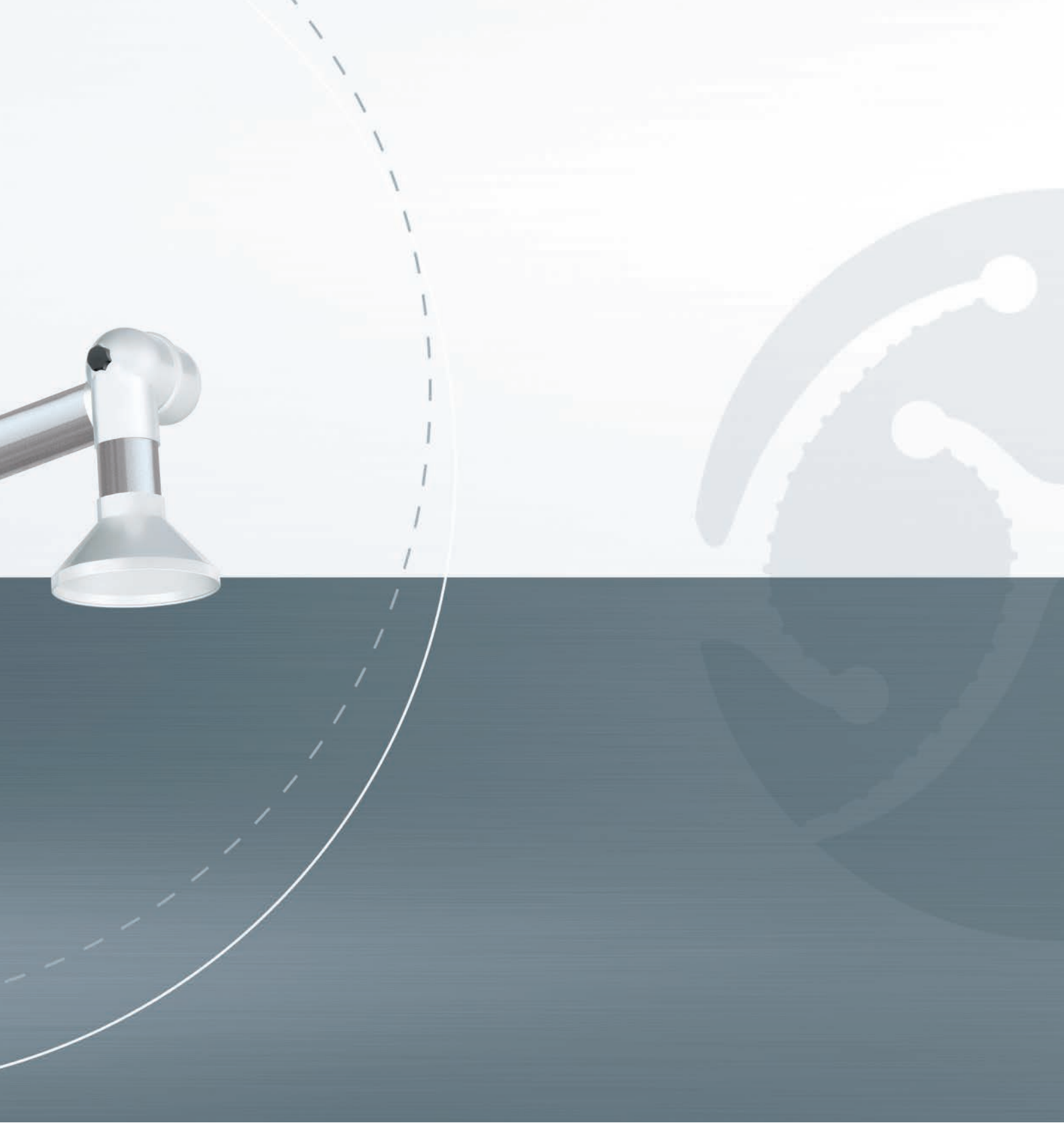




X-CYCLONE® RJD Series

Compact air cleaner for fine dust



RANGE OF APPLICATION

Cleaning of extracted air from dry fine dust such as grinding and graphite dust or soldering and brazing fumes.

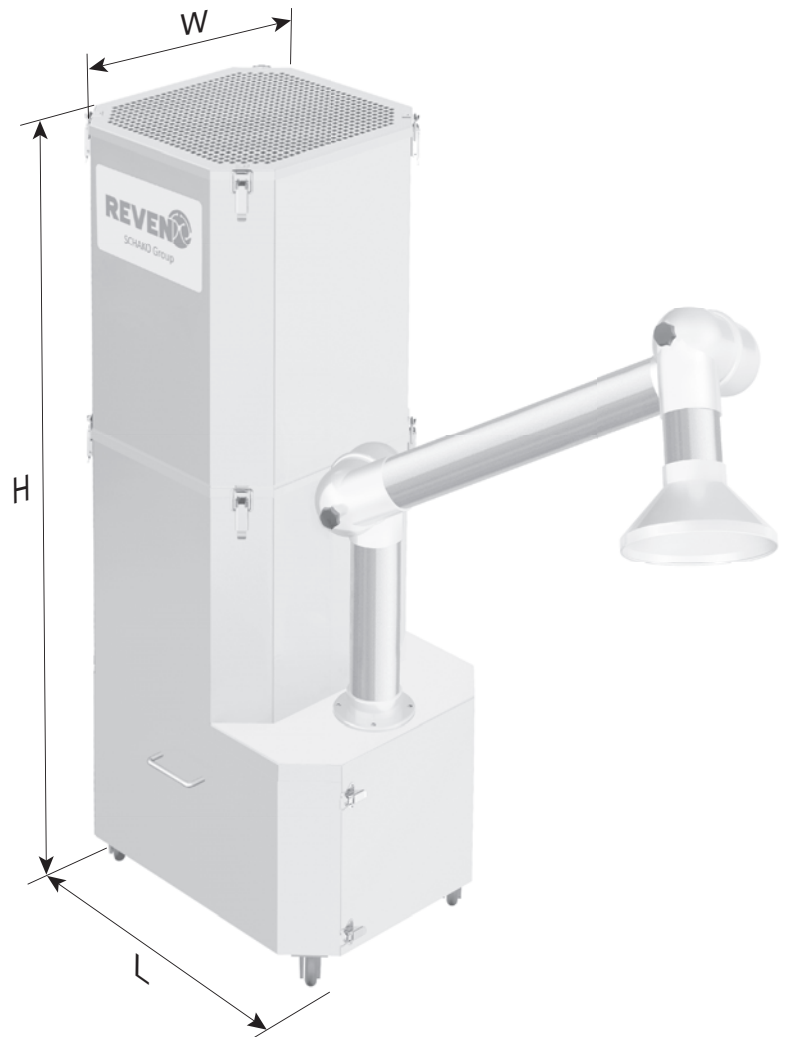
TECHNICAL HIGHLIGHTS

- High-performance EUREVEN® F2011 separating system with an efficiency rate of up to 99.9999 %. Filter module with moisture-repelling and cleanable, synthetic filter material.
- Sustainable air-cleaning concept thanks to the use of cleanable separators.
- Fan impeller and motor with energy-efficient eco-design in accordance with the European Directive on Energy-related Products (ErP). Energy-saving potential of up to Euro 1,000 per year compared to traditional air cleaners.
- Enclosure 100 % rustproof in accordance with the requirements of the German trademark association for stainless steel Warenzeichenverband Edelstahl Rostfrei e.V.
- Designed, constructed and produced in Germany.
- Lifetime guarantee on the corrosion resistance of the enclosure.



ACCESSORIES

- Flame-arresting X-CYCLONE® basic elements, tested in accordance with UL 1046, ULC-S 649, JFEA, DIN 18869-5 and DIN EN 16282.
- Particulate air filter top unit, suitable for processes with high smoke and dust emissions.
- Activated carbon filter top unit for the reduction of odour nuisance.



TECHNICAL DATA – X-CYCLONE® RJD SERIES

Type of device	Extraction volume [m³/h]	Electrical data						Dimensions			Weight [kg]	Noise level [db (A)]
		Voltage [V]		Current [A]		Power 1* [W]		Length [mm]	Width [mm]	Height [mm]		
		50 Hz	60 Hz	50 Hz	60 Hz	50 Hz	60 Hz					
RJD-1	500	3~400	3~460	1.61	1.43	650		560	410	1220	70	65

1* Power data referring to the operational power.
Other voltages on request!